

GATES TPU FOOD BELT QUOTE CHECKLIST Z CONVEYOR

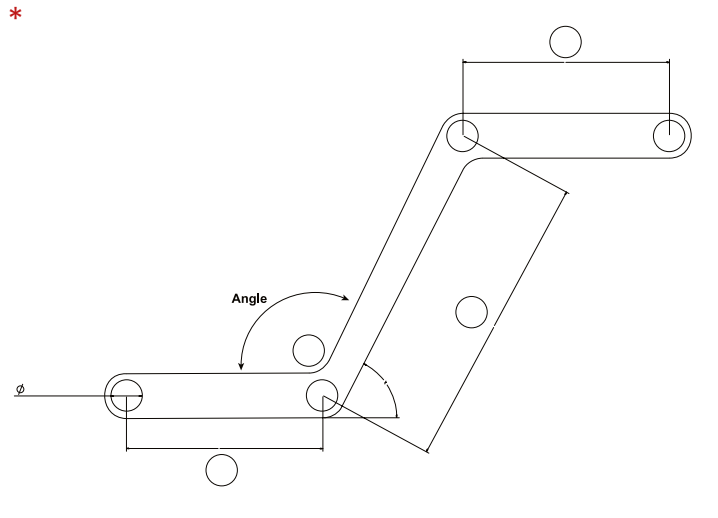
*Name:	*Phone:	*Site Location:	*Email:
*Company Name:			

APPLICATION

*Briefly describe what is being conveyed, what type of belt is being replaced.			
*Max. Load	lbs.	*Load Rate	lbs/hr and Conveyor Speed ft/min
*Lb per Cubic Ft.		and	Depth of Product in

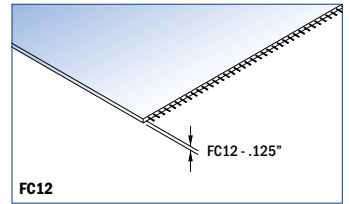
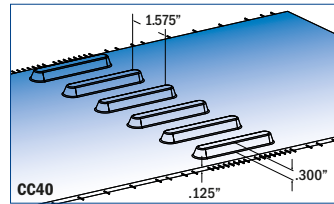
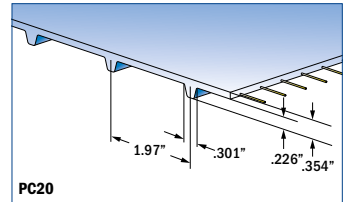
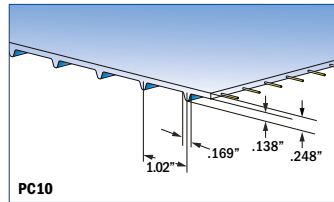
or
or

BELT	INPUT
*Belt Pitch/Type	
*Belt Width (in/mm)	
*Belt Length (in/mm)	
*Splice Type	
Mechanical	
Weld	
*Straight Cleats (5mm thick)	
Overall Height	
Spacing	
Offset From Edge (in/mm) / Centered	
*Scoop Cleats (7 mm thick)	
Overall Height	
Spacing	
Offset From Edge (in/mm) / Centered	
*Sidewalls	
Overall Height	
Offset From Edge (in/mm)	
V-Guide	
Type	
Offset From Edge (in/mm) / Centered	
SPROCKETS	
# of Sprockets	
Number of Teeth or Diameter	
Bore Type	
Dimension (in/mm)	
Keyway Dimension (in/mm)	
Any Back Idlers	
Diameter of Back Bend (in/mm)	
Smallest In Conveyor (in/mm)	
Drum Motor / Motorized Pulley	
CONVEYOR	
Drive Type	
Bed Type Top	
** Carryway Material	
Bed Type Return	
** Carryway Material	
Conveyor Sidewalls/Fenders - Height	
*Material	
Incline Angle	
Angle of Belt Wrap On Drive Pulley	
Tensioning Device (Take Up) Avail.	
Type	
Total Travel	
Extended Distance When Center Distance is Measured	



Comments (environment, cleaning protocol, etc.)

Common Pitch Types



ADDITIONAL INFORMATION

*Dry/Wet Application

Outside Sales Contact Info

GATES TPU
 9 Northwestern Drive Salem, NH 03079, U.S.A.
 Tel. +1 (603) 890-1515. / +1 (800) 394-4844.
 contact@gates.com
 www.gates.com/TPU

Application Engineering
 email: slo.apps@gates.com
 Tel. +1 (800) 505-8494