



# TPU BELTS

THERMOPLASTIC POLYURETHANE

GATES TPU

# PINLOK™ MECHANICAL JOINING SYSTEM

EASY TO INSTALL ENDLESS BELTS UP TO 100MM WIDTH

EXPERIENCING PROBLEMS WITH DIFFICULT BELT INSTALLATIONS? USE GATES® PINLOK™.

Our advancements in material science, design engineering and processing technologies allow Gates to deliver a mechanical joining system to allow belt installation without machine disassembly.

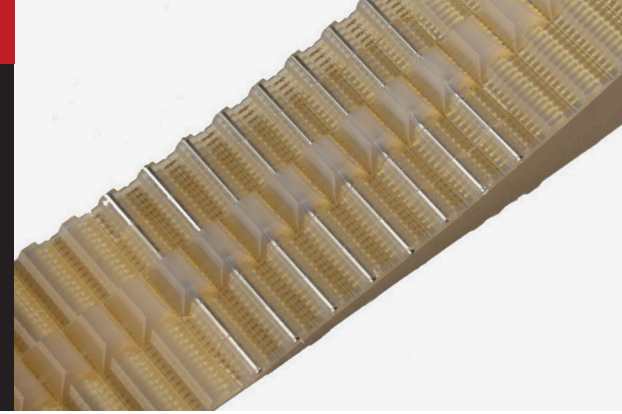
Gates® PinLok™ features easy and quick installations that save time and money. Now available for various pitches in widths up to 100mm, Gates® PinLok™ is ideal for conveying applications where it is difficult to install and replace endless timing belts. Simply place the Gates® PinLok™ belt ends into the clamping plates, or wrap around a pulley to align the fingers and insert the pins — no cumbersome and time-consuming field welding required.

PinLok™ is available for belts with special backings and welded on profiles, allowing for customized conveying and transportation solutions. PinLok™ works with steel or Aramid corded belts to deliver high tensile strength at a very small pulley diameter.

## FEATURES + BENEFITS

- Ideal for applications where it is difficult to install & replace belts
- Easy on-site assembly
- Available in various pitches up to 100mm width
- Precise and smooth operation
- Works with steel or Aramid tensile cord
- Available for belts with special backings or profiles

## PINLOK™ MECHANICAL JOINING SYSTEM

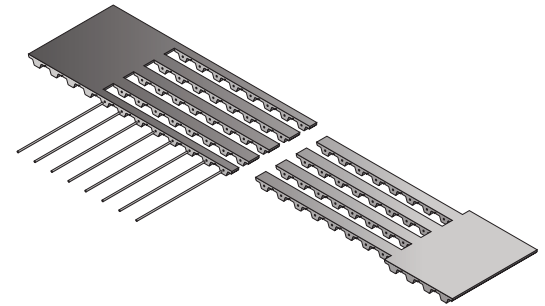


### PRODUCT SPECIFICATIONS

<b>MAXIMUM BELT SPEED</b>		2 m/s
<b>SERVICE TEMPERATURE</b>		0 -50 °C
<b>MINIMUM LENGTH</b>	< 50mm width	600mm
	75 and 100mm width	1000mm

	MINIMUM NUMBER OF PULLEY TEETH	MINIMUM BACK BEND DIAMETER
<b>T10</b>	16	80
<b>T10V, T10VS</b>	25	80
<b>T20</b>	16	120
<b>AT5</b>	20	80
<b>AT10, HTD8M</b>	16	120
<b>AT10V, AT10VS</b>	25	120
<b>H</b>	16	80
<b>HV</b>	25	80

### PinLok™ (SECTION)



### TECHNICAL DATA

PITCH/STANDARD WIDTH (mm)	16	25	32	50	75	100
<b>AT5</b>	280	525				
<b>T10, T10V*, T10VS*</b>		395	450	825	1250	1675
<b>AT10</b>		660	770	1365	1760	2070
<b>HTD8M</b>		660	770	1365		
<b>AT10V, AT10VS*, T20</b>			770	1365	1760	2070
PITCH/STANDARD WIDTH (mm)		1"	1,5"	2"	3"	4"
<b>H, HV**</b>		395	450	825	1250	1675

Allowable Tension is valid for all available cord constructions.

\* T10V, T10VS and AT10VS are available in 32mm and 50mm only

\*\* HV available in 1" and 2" only